

# GENERAC®

## Protector® Series Standby Generators

### Liquid-Cooled Gaseous Engine

## Protector® Series

#### INCLUDES:

- Two-Line LCD Multilingual Digital Evolution™ Controller (English / Spanish / French / Portuguese) with external viewing window for easy indication of generator status and breaker position.
- Capability to be installed within 18 in (457mm) of a building
- Isochronous Electronic Governor
- Sound Attenuated Enclosure
- Closed Coolant Recovery System
- Smart Battery Charger
- UV / Ozone Resistant Hoses
- ±1% Voltage Regulation
- Natural Gas or LP Operation
- 5 Year Limited Warranty
- UL 2200 Listed

#### STANDBY POWER RATING

Model RG025 (Aluminum - Bisque) - 25 kW 60 Hz  
Model RG030 (Aluminum - Bisque) - 30 kW 60 Hz



\* Product may vary slightly from above image.



\*Assembled in the USA using domestic and foreign parts

QUIET TEST™



Meets EPA Emission Regulations CA / MA Emission Compliant

## FEATURES

- **INNOVATIVE DESIGN & PROTOTYPE TESTING** are key components of GENERAC'S success in "IMPROVING POWER BY DESIGN." But it doesn't stop there. Total commitment to component testing, reliability testing, environmental testing, destruction and life testing, plus testing to applicable CSA, NEMA, EGSA, and other standards, allows you to choose GENERAC POWER SYSTEMS with the confidence that these systems will provide superior performance.
- **TEST CRITERIA:**
  - ✓ PROTOTYPE TESTED
  - ✓ NEMA MG1-22 EVALUATION
  - ✓ SYSTEM TORSIONAL TESTED
  - ✓ MOTOR STARTING ABILITY
- **MOBILE LINK® CONNECTIVITY:** Included with 25-100 kW RG, Mobile Link Wi-Fi allows users to monitor generator status from anywhere in the world using a smartphone, tablet, or PC. Easily access information such as the current operating status and maintenance alerts. Users can connect an account to an authorized service provider for fast, friendly, and proactive service. With Mobile Link, users are taken care of before the next power outage.
- **SOLID-STATE, FREQUENCY COMPENSATED VOLTAGE REGULATION.** This state-of-the-art power maximizing regulation system is standard on all Generac models. It provides optimized FAST RESPONSE to changing load conditions and MAXIMUM MOTOR STARTING CAPABILITY by electronically torque-matching the surge loads to the engine. Digital voltage regulation at ±1%.
- **SINGLE SOURCE SERVICE RESPONSE** from Generac's extensive service network provides parts and service know-how for the entire unit, from the engine to the smallest electronic component.
- **GENERAC TRANSFER SWITCHES:** Long life and reliability are synonymous with GENERAC POWER SYSTEMS. One reason for this confidence is the GENERAC product line is offered with its own transfer systems and controls for total system compatibility.

# GENERAC®

**GENERATOR SPECIFICATIONS**

Type	Synchronous
Rotor Insulation Class	H
Stator Insulation Class	H
Telephone Interference Factor (TIF)	<50
Alternator Output Leads 1-Phase	4 wire
Alternator Output Leads 3-Phase	6 wire
Bearings	Sealed Ball
Coupling	Flexible Disc
Excitation System	Direct

**VOLTAGE REGULATION**

Type	Electronic
Sensing	Single Phase
Regulation	± 1%

**GOVERNOR SPECIFICATIONS**

Type	Electronic
Frequency Regulation	Isochronous
Steady State Regulation	± 0.25%

**ELECTRICAL SYSTEM**

Battery Charge Alternator	12 Volt 15 Amp
Static Battery Charger	2 Amp
Recommended Battery (battery not included)	Group 26, 525 CCA
System Voltage	12 Volts

**GENERATOR FEATURES**

Revolving field heavy duty generator Directly connected to the engine Operating temperature rise 135° C above 25° C ambient Class H insulation is NEMA rated All models fully prototyped tested
---

**ENCLOSURE FEATURES**

Aluminum weather protective enclosure	Ensures protection against mother nature. Electrostatically applied textured epoxy paint for added durability.
Enclosed critical grade muffler	Quiet, critical grade muffler is mounted inside the unit to prevent injuries.
Small, compact, attractive	Makes for an easy, eye appealing installation.
SAE	Sound attenuated enclosure ensures quiet operation.

**ENGINE SPECIFICATIONS:**

Make	Generac
Type	In-line
Cylinders	4
Displacement (Liters)	1.5
Bore (in / mm)	3.05 / 77.4
Stroke (in / mm)	3.13 / 79.5
Compression Ratio	11:1
Intake Air System	Naturally Aspirated
Lifter Type	Hydraulic

**ENGINE LUBRICATION SYSTEM**

Oil Pump Type	Gear
Oil Filter Type	Full Flow Spin-On Cartridge
Crankcase Capacity (qt/l)	4 / 3.8

**ENGINE COOLING SYSTEM**

Type	Closed
Water Pump	Belt driven
Fan Speed (rpm)	2,484
Fan Diameter (in / mm)	17.7 / 449.6
Fan Mode	Pusher

**FUEL SYSTEM**

Fuel Type	Natural gas, propane vapor
Carburetor	Down Draft
Secondary Fuel Regulator	Standard
Fuel Shut Off Solenoid	Standard
LP Fuel Pressure	5 – 14 in Water Column / 9 – 26 mm HG
NG Fuel Pressure	5 – 14 in Water Column / 9 – 26 mm HG

(All ratings in accordance with BS5514, ISO3046, ISO8528, SAE J1349, and DIN6271)



**ENGINE COOLING**

	25 kW	30 kW
Air flow (inlet air including alternator and combustion air in CFM / m <sup>3</sup> /min)	2,490 / 70.5	
System coolant capacity (US gal / L)	2 / 7.6	
Heat rejection to coolant (BTU per hr/MJ per hr)	112,000 / 118.2	135,000 / 142.4
Maximum operation air temperature on radiator (°F / °C)	140 / 60	
Maximum ambient temperature (°F / °C)	122 / 50	

**COMBUSTION REQUIREMENTS**

Flow at rated power (CFM / m <sup>3</sup> /min)	62 / 1.8	72 / 2
---	----------	--------

**SOUND EMISSIONS**

Sound output in dB(A) at 23 ft (7 m) with generator in exercise mode*	59	59
Sound output in dB(A) at 23 ft (7 m) with generator operating at normal load*	72	73

\*Sound levels are taken from the front of the generator. Sound levels taken from other sides of the generator may be higher depending on installation parameters.

**EXHAUST**

Exhaust flow at rated output (cfm / cmm)	203 / 5.7	237 / 6.7
Exhaust temperature at muffler outlet (°F / °C)	1,100 / 593	1,130 / 610

**ENGINE PARAMETERS**

Rated Synchronous rpm	3,600
-----------------------	-------

**POWER ADJUSTMENT FOR AMBIENT CONDITIONS**

Temperature Deration	25°C (77°F) before derate; 3% for every 10°C above 25°C (1.65% for every 10°F above 77°F)
Altitude Deration	1% for every 100 m above 183 m (3% for every 1,000 ft. above 600 ft.)

**CONTROLLER FEATURES**

Two-Line Plain Text LCD Display	Simple user interface for ease of operation.
Mode Switch: AUTO	Automatic Start on Utility failure. 7 day exerciser.
OFF	Stops unit. Power is removed. Control and charger still operate.
MANUAL	Start with starter control, unit stays on. If utility fails, transfer to load takes place.
Programmable start delay between 10 – 30 seconds	Standard 10 sec
Engine Start Sequence	Cyclic cranking: 16 sec on, 7 rest (90 sec maximum duration)
Engine Warm-up	5 sec
Engine Cool-Down	1 min
Starter Lock-out	Starter cannot re-engage until 5 sec after engine has stopped.
Smart Battery Charger	Standard
Automatic Voltage Regulation with Over and Under Voltage Protection	Standard
Automatic Low Oil Pressure Shutdown	Standard
Overspeed Shutdown	Standard, 72 Hz
High Temperature Shutdown	Standard
Overcrank Protection	Standard
Safety Fused	Standard
Failure to Transfer Protection	Standard
Low Battery Protection	Standard
50 Event Run Log	Standard
Future Set Capable Exerciser	Standard
Incorrect Wiring Protection	Standard
Internal Fault Protection	Standard
Common External Fault Capability	Standard
Governor Failure Protection	Standard

**REMOTE MONITORING**

● Ability to view generator status	Monitor generator with a smartphone, tablet, or computer at any time via the Mobile Link application for complete peace of mind.
● Ability to view generator Exercise / Run and Total Hours	Review the generator's complete protection profile for exercise hours and total hours.
● Ability to view generator maintenance information	Provides maintenance information for the specific model generator when scheduled maintenance is due.
● Monthly report with previous month's activity	Detailed monthly reports provide historical generator information.
● Ability to view generator battery information	Built in battery diagnostics displaying current state of the battery.
● Weather information	Provides detailed local ambient weather conditions for generator location.

**available accessories**

Model #	Product	Description
G0071690	Mobile Link® 4G LTE Cellular Accessory	Generac's Mobile Link allows you to check the status of your generator from anywhere that you have access to an Internet connection from a PC or with any smart device. You will even be notified when a change in the generator's status occurs via e-mail or text message. Note: Harness Adapter Kit required. Available in the U.S. only.
G006175-0	Cold Weather Kit	If the temperature regularly falls below 32 °F (0 °C), install a cold weather kit to maintain optimal battery temperature. Kit consists of battery warmer with thermostat built into the wrap.
G006174-0	Extreme Cold Weather Kit	Recommended where the temperature regularly falls below 32 °F (0 °C) for extended periods of time. For liquid cooled units only.
G005651-0	Base Plug Kit	Add base plugs to the base of the generator to keep out debris.
G005703-0 - Bisque	Paint Kit	If the generator enclosure is scratched or damaged, it is important to touch-up the paint to protect from future corrosion. The paint kit includes the necessary paint to properly maintain or touch-up a generator enclosure.
G006176-0	Scheduled Maintenance Kit	The Liquid-Cooled Scheduled Maintenance Kits offer all the hardware necessary to perform complete maintenance on Generac liquid-cooled generators.
G007000-0 (50 Amps) G007006-0 (100 Amps)	Smart Management Module	Smart Management Modules (SMM) optimize the performance of a standby generator. They manage large electrical loads upon startup and load shed to aid in recovery when overloaded. In many cases, SMMs can reduce the overall size and cost of the system.
G006510-0	E-Stop resettable switch for commercial installs to NEC2020	E-stop allows for immediate fuel shutoff and generator shutdown in the event of an emergency.
G007005-0	Wi-Fi LP Fuel Level Monitor	The Wi-Fi enabled LP fuel level monitor provides constant monitoring of the connected LP fuel tank. Monitoring the LP tank's fuel level is an important step in making sure your generator is ready to run during an unexpected power failure. Status alerts are available through a free application to notify when your LP tank is in need of a refill.
A0000018981	Ultrasonic Cleaner Solution	An ultra-concentrated anti-corrosive cleaning solution engineered to reach the smallest cavities to clean the toughest contaminants. This water based formula is non-toxic, biodegradable, and safe for both metal and plastic surfaces and is superior in rinsability.
A0000019001	All Surface Protectant	All Surface Protectant for vinyl, rubber, and plastics creates a barrier that seals & protects surfaces from water and UV rays while renewing the look of the surface.

### 25 & 30

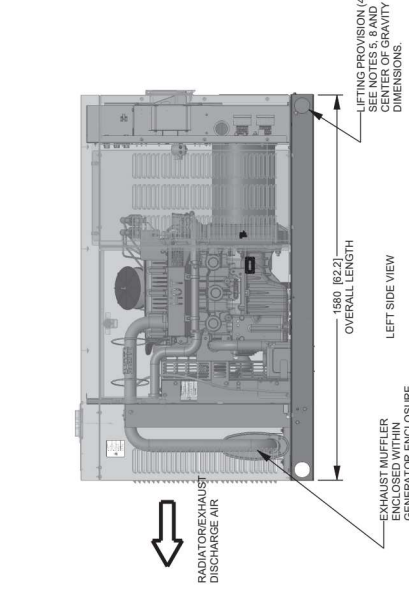
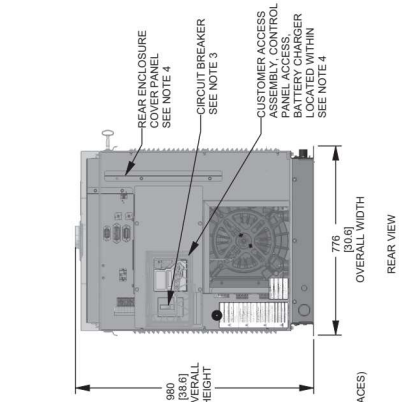
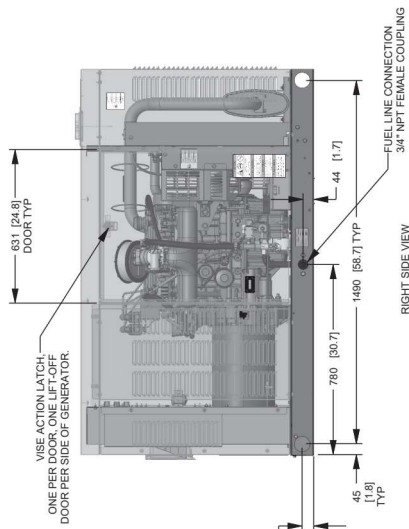
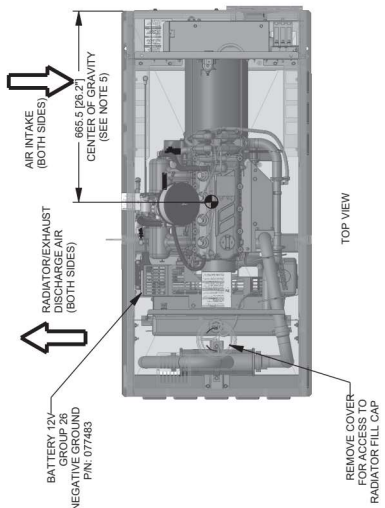
#### Drawing #0K8420-B (1 of 2)

- NOTES:**
- MINIMUM RECOMMENDED CONCRETE PAD SIZE: 1032 (43") WIDE X 1887 (74.3") LONG. REFERENCE INSTALLATION GUIDE SUPPLIED WITH UNIT FOR CONCRETE PAD GUIDELINES.
  - ALLOW SUFFICIENT ROOM ON ALL SIDES OF THE GENERATOR FOR MAINTENANCE AND SERVICE. THE UNIT MUST BE INSTALLED IN ACCORDANCE WITH CURRENT APPLICABLE NATIONAL, STATE AND LOCAL ELECTRICAL AND MECHANICAL CODES, STATE, AND LOCAL CODES.
  - CONTROL PANEL / CIRCUIT BREAKER INFORMATION:
    - SEE SPECIFICATION SHEET OR OWNERS MANUAL FOR CIRCUIT BREAKER INFORMATION.
    - REMOVE THE REAR ENCLOSURE COVER PANEL TO ACCESS.
  - THE STUB-UP AREAS AS FOLLOWS:
    - HIGH VOLTAGE CONNECTION INCLUDING AC LOAD LEAD CONDUIT CONNECTION AND TRANSFER SWITCH CONNECTION.
    - LOW VOLTAGE CONNECTION INCLUDING TRANSFER SWITCH CONTROL WIRES.
  - CENTER OF GRAVITY AND WEIGHT MAY CHANGE DUE TO UNIT OPTIONS.
  - BOTTOM OF GENERATOR SET MUST BE ENCLOSED TO PREVENT PEST INTRUSION AND AIR FLOW.
  - EXHAUST SYSTEM MAXIMUM BACK PRESSURE: 24 INCHES H2O.
  - REFERENCE OWNERS MANUAL FOR LIFTING WARNINGS.
  - MOUNTING BOLTS OR STUDS TO MOUNTING SURFACE SHALL BE 5/8"-11 GRADE 5 OR HIGHER.
  - MUST ALLOW FREE FLOW OF INTAKE AIR, DISCHARGE AIR AND EXHAUST. SEE SPEC SHEET FOR MINIMUM AIR FLOW AND MAXIMUM RESTRICTION REQUIREMENTS.
  - GENERATOR MUST BE INSTALLED SUCH THAT FRESH COOLING AIR IS AVAILABLE TO THE GENERATOR. FRESH AIR MUST BE DIRECTLY CIRCULATED.
  - EXHAUST MUST BE ENCLOSED WITHIN GENERATOR ENCLOSURE.
  - REMOVE ENCLOSURE TO ACCESS EXHAUST MUFFLER.

- MINIMUM RECOMMENDED CONCRETE PAD SIZE: 1032 (43") WIDE X 1887 (74.3") LONG. REFERENCE INSTALLATION GUIDE SUPPLIED WITH UNIT FOR CONCRETE PAD GUIDELINES.
- ALLOW SUFFICIENT ROOM ON ALL SIDES OF THE GENERATOR FOR MAINTENANCE AND SERVICE. THE UNIT MUST BE INSTALLED IN ACCORDANCE WITH CURRENT APPLICABLE NATIONAL, STATE AND LOCAL ELECTRICAL AND MECHANICAL CODES, STATE, AND LOCAL CODES.
- CONTROL PANEL / CIRCUIT BREAKER INFORMATION:
  - SEE SPECIFICATION SHEET OR OWNERS MANUAL FOR CIRCUIT BREAKER INFORMATION.
  - REMOVE THE REAR ENCLOSURE COVER PANEL TO ACCESS.
- THE STUB-UP AREAS AS FOLLOWS:
  - HIGH VOLTAGE CONNECTION INCLUDING AC LOAD LEAD CONDUIT CONNECTION AND TRANSFER SWITCH CONNECTION.
  - LOW VOLTAGE CONNECTION INCLUDING TRANSFER SWITCH CONTROL WIRES.
- CENTER OF GRAVITY AND WEIGHT MAY CHANGE DUE TO UNIT OPTIONS.
- BOTTOM OF GENERATOR SET MUST BE ENCLOSED TO PREVENT PEST INTRUSION AND AIR FLOW.
- EXHAUST SYSTEM MAXIMUM BACK PRESSURE: 24 INCHES H2O.
- REFERENCE OWNERS MANUAL FOR LIFTING WARNINGS.
- MOUNTING BOLTS OR STUDS TO MOUNTING SURFACE SHALL BE 5/8"-11 GRADE 5 OR HIGHER.
- MUST ALLOW FREE FLOW OF INTAKE AIR, DISCHARGE AIR AND EXHAUST. SEE SPEC SHEET FOR MINIMUM AIR FLOW AND MAXIMUM RESTRICTION REQUIREMENTS.
- GENERATOR MUST BE INSTALLED SUCH THAT FRESH COOLING AIR IS AVAILABLE TO THE GENERATOR. FRESH AIR MUST BE DIRECTLY CIRCULATED.
- EXHAUST MUST BE ENCLOSED WITHIN GENERATOR ENCLOSURE.
- REMOVE ENCLOSURE TO ACCESS EXHAUST MUFFLER.

SERVICE ITEM	1.5L
OIL FILL CAP	ETHER DOOR
OIL DIP STICK	RIGHT DOOR
OIL FILTER	RIGHT DOOR
OIL DRAIN HOSE	RIGHT DOOR
RADIATOR DRAIN HOSE	RIGHT DOOR
AIR CLEANER ELEMENT	RIGHT DOOR
SPARK PLUGS	RIGHT DOOR
MUFFLER	SEE NOTE 12
FAN BELT	ETHER DOOR
BATTERY	RIGHT DOOR

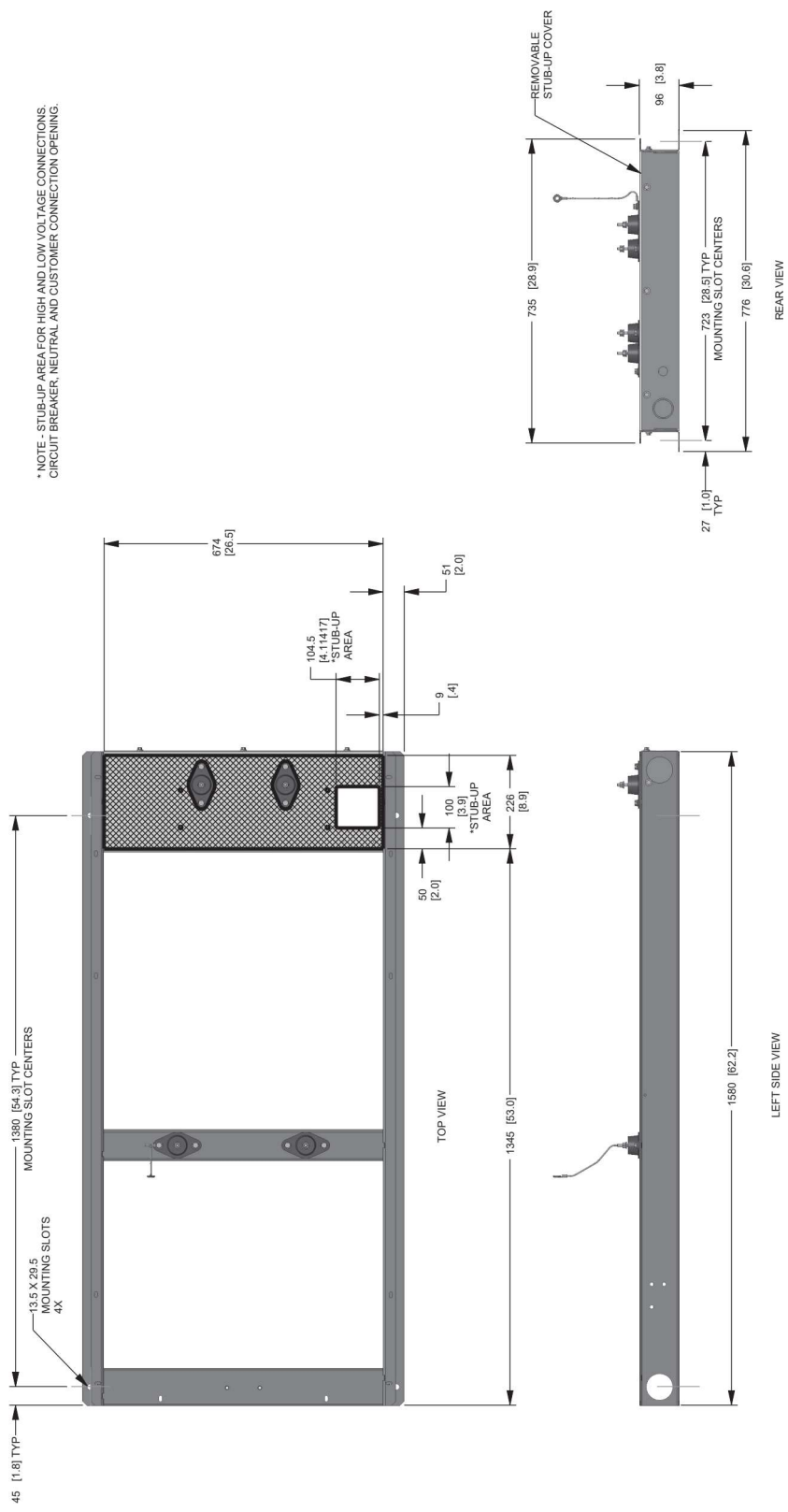
REFERENCE OWNERS MANUAL FOR PERIODIC REPLACEMENT PART LISTINGS.



ENGINE KW	ENCLOSURE MATERIAL	WEIGHT DATA	
		WEIGHT GENSET ONLY (LBS)	WEIGHT SHIPPING SKID (LBS)
1.5L/25KW	ST	392 [185]	427 [203]
1.5L/30KW	ST	406 [185]	435 [201]
1.5L/25KW	AL	352 [177]	382 [183]
1.5L/30KW	AL	366 [167]	399 [187]

**25 & 30**

Drawing #0K8420-B (2 of 2)



\* NOTE - STUB-UP AREA FOR HIGH AND LOW VOLTAGE CONNECTIONS. CIRCUIT BREAKER, NEUTRAL AND CUSTOMER CONNECTION OPENING.